

**SMD QUARTZ CRYSTAL RESONATOR**
**石英晶体谐振器**

**4 Pad Version 7.0x1.5 mm**

- Tuning fork crystal in standard package
- 32.768 KHz standard
- $\pm 20$  ppm Standard
- Excellent Reliability Performance
- Reflow soldering temperature: 260°C max

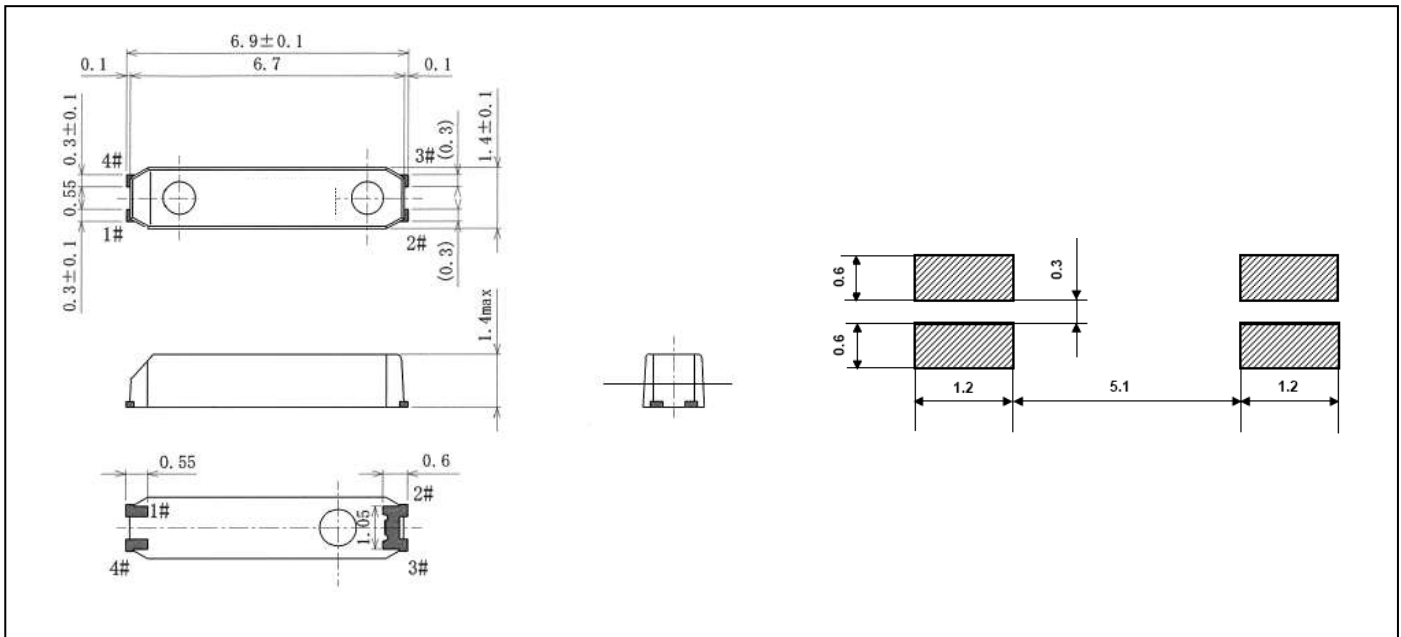


RoHS compliant

**★ PARAMETERS**
**技术参数**

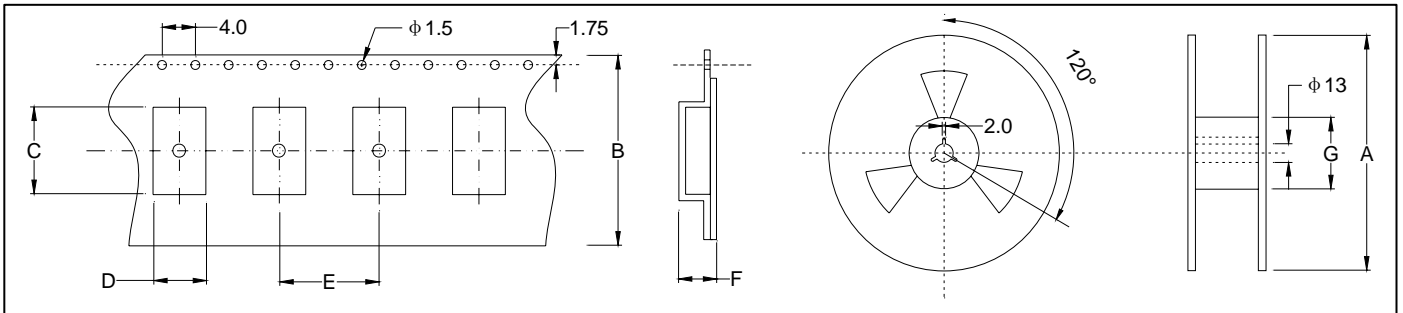
PARAMETERS	参数	SPECIFICATION 规格
Frequency Range	频率范围	32.768KHz
Loading Capacitance	负载电容	12.5pF Std. 7 pF available
Drive Level	激励电平	1.0 $\mu$ W Max
Frequency Tolerance	频率偏差	$\pm 20$ ppm (at 25°C)
Equivalent Resistance	谐振电阻	65K $\Omega$ Max
Temperature coefficient	温度曲线系数	$-0.04 \times 10^{-6} / ^\circ\text{C}^2$ max
Operating Temp. Range:	工作温度范围	-40~+85°C
Storage Temp. Range:	储存温度范围	-55~+125°C
Aging (25°C, First Year)	老化率	$\pm 3$ ppm max

○ All specification subject change without notice. 规格变化, 恕不另行通知。

**★ DIMENSIONS & LAND PATTERN LAYOUT (Unit: mm) 外形尺寸**

**★ PART NUMBER GUIDE 部件号示例**

e.g. FTX32.768K12.5SM7 (\*SM7=7.0x1.5 SMD)

	Quartz Crystal Resonator 石英晶体谐振器	Frequency 频率	Load Capacitance 负载电容	Package 盒型
FT	X	32.768KHz	12.5	SM7

**★ TAPING SPECIFICATION (Unit: mm) 编带规格**


	A	B	C	D	E	F	G
SMD7×1.5	330	16	7.2	1.55	8.0	1.5	100
3000 pcs per reel							

**★ REFLOW SOLDERING PROFILE 回流焊特性**
